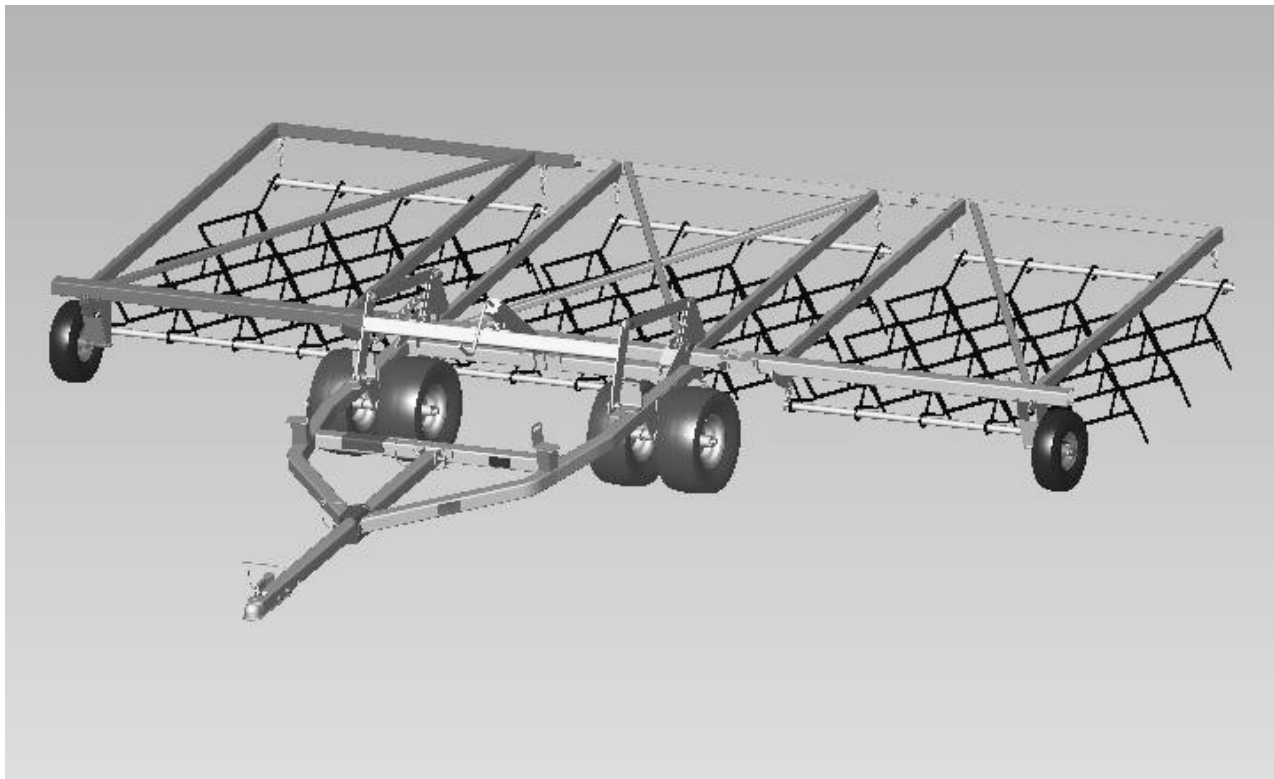


Assembly/Operators/Parts Manual

English Language Version 09

Printed: May 2009



 **READ & SAVE THIS MANUAL**

QUADIVATOR INC.
1000 6th Ave. NE
Portage La Prairie, MB
Canada, R1N 3C5
www.quadivator.com

Part #: 86371

QUADIVATOR WARRANTY POLICY

The warranty for the Quadivator Product is a limited warranty.

The manufacturer's warranty to the original customer is - the product is free from defects in materials and workmanship for a period of one (1) year from the date of purchase by the original purchaser.

We will repair or replace, at our discretion, parts found to be defective due to materials and workmanship.

The warranty is subject to the following limitations and exclusions:

- 1. Engine Warranty** - all engines utilized on our products have a separate warranty extended to them by the engine manufacturer. Any engine service difficulty is the responsibility of the engine manufacturer and in no way is Quadivator Inc. or its agents responsible for the engine warranty. The Briggs & Stratton Engine Service Hot Line is 1-800-233-3723.
- 2. Commercial Use** - the warranty period for any product used for commercial or rental use is limited to ninety (90) days from the date of original purchase.
- 3. Limitations** - the warranty applies only to products which have been properly assembled, adjusted and operated in accordance with the instructions contained in this manual. The warranty does not apply to any product of Quadivator Inc. that has been subject to alteration, misuse, abuse, improper assembly or installation, shipping damage or normal wear of the product.
- 4. Exclusions** - excluded from this warranty are normal wear, normal adjustments and normal maintenance.

In the event you have a claim under this warranty, you must return the product to an authorized service dealer. All transportation charges, damage or loss incurred during transportation of parts submitted for replacement or repair under this warranty shall be borne by the purchaser. Should you have any questions concerning this warranty, please contact us toll-free at 1-866 770-2169 or on our web-site at www.quadivator.com. The model, serial numbers, date of purchase and the name of the authorized Quadivator dealer from whom you purchased the Quadivator Product will be needed before any warranty claim can be processed.

This warranty does not apply to any incidental or consequential damages and any implied warranties are limited to the same time periods stated for all expressed warranties. Some provinces and states do not allow the limitation of consequential damages or limitations on how long an implied warranty may last, so the above limitations may not apply to you. This warranty gives you specific legal rights and you may have other rights, which vary from province to province or state to state.

This is a limited warranty as defined by the Magnusson-Moss Act of 1975.

FOREWORD

Congratulations on the purchase of your new Quadivator UTV Harrow. To obtain the best use of your Quadivator UTV Harrow, read this manual *carefully*. It will help you become familiar with the operation and maintenance of the Quadivator UTV Harrow. It is Quadivator Policy to use all research, design and manufacturing improvements to improve our products. At the time of printing, this may result in some of the minor parts in the manual becoming outdated.

Quadivator will have the most up to date parts and service information – call 1 866 770-2169 for service information and parts orders!

Contact Information

Quadivator Inc.
1000 – 6th Ave NE
Portage la Prairie, MB
Canada, R1N 3C5

E-mail: mailbox@quadivator.com
Website: www.quadivator.com
Tel. 866-770-2169
Fax. 204-239-4271



SAFETY FIRST

This symbol, the industry's “*Safety Alert Symbol*”, is used throughout this manual and on labels on the unit itself to warn the possibility of personal injury.

Read these instructions carefully.

It is essential that you read the instructions and safety regulations before you attempt to assemble or use this unit.



DANGER

Indicates an imminent hazardous situation, which if not avoided, will result in death or serious injury.



WARNING

Indicates a potentially hazardous situation which, if not avoided, could result in death or serious injury.



CAUTION

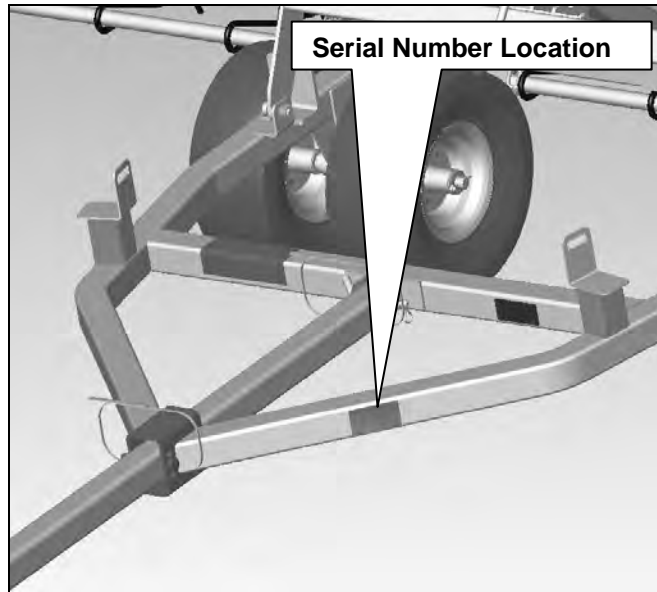
Indicates a potentially hazardous situation which, if not avoided, may result in minor or moderate injury.

NOTE

A NOTE provides key information to make procedures easier or clearer.

Table of Contents

1.	Foreword / Safety First.....	i
2.	Pre-delivery Checklist.....	iii
3.	Owners Registration & Delivery Checklist.....	iv
4.	Safe Operation	1
5.	Setup	3
6.	Operation.....	6
7.	Maintenance.....	7
8.	Troubleshooting.....	8
9.	Torque Chart.....	9
10.	Parts.....	9
11.	Warranty Registration.....	15



PRE- DELIVERY CHECKLIST

Check off all items as they are found satisfactory or after adjustments are made:

- All safety shields and guard are securely in place.
- All decals are in place and readable.
- Tighten all hardware – see Bolt Torque Chart in Service Section (page 8).
- Check tire inflation pressure and set to 30 psi for Main Frame and 30 psi for Lift Frames.
- Operate for 5 – 10 minutes, check for excessive operation or unusual noise, when using the Quadivator UTV Harrow and attachment(s).

- The Quadivator UTV Harrow and customer ordered attachments have been tested and to the best of my knowledge, is ready to be delivered to the customer!

Date Pre-delivered –

Signature –

OWNER’S REGISTRATION

Name –

Address –

City/Town –

State/Prov. –

Postal/Zip (Mail) Code -

Model & Serial # –

Date Sold –

DELIVERY Checklist – Review with customer:

- Tell the customer not to remove any of the safety shields or guards.
- Review the Quadivator Warranty.
- Review the Safe Operation and Service of the Quadivator Attachment.
- Review the Daily and Periodic Lubrication and Maintenance.
- Review the Daily and Periodic Inspections.
- Review with the customer the Parts & Service Availability.

Prior to delivery to the customer, do the following:

- Record Serial Numbers for the Quadivator Products
- Sign and copy this section for the dealer’s record.
- Give the customer the Operators Manual and encourage the customer to read the manual.

Date Delivered –

Signature –

Safe Operation



DANGER

Failure to observe the following safety instructions could result in serious injury and or death.

General Operation

1. Read, understand, and follow all instructions on the machine and in the manual(s) before starting.
2. Do not put hands or feet near rotating parts or under the machine.
3. Allow only responsible adults, who are familiar with the instructions, to operate this machine.
4. Be thoroughly familiar with the controls and the proper use of the equipment. Know how to stop the unit and disengage the controls quickly.
5. Be sure the area is clear of bystanders before operating. Stop machine if anyone enters the area.
6. NEVER CARRY PASSENGERS while operating any attachments.
7. Disengage the transmission on the UTV or compact tractor and shift into neutral before starting or attaching the UTV attachment. Always look down and behind before and while backing up.
8. Handle fuel with care, it is highly flammable:
 - (a) Use an approved fuel container.
 - (b) Never add fuel to a running engine or hot engine.
 - (c) Fill fuel tank outdoors with extreme care. Never fill fuel tanks indoors.
 - (d) Replace gasoline cap securely and wipe up spilled fuel.
9. Do not operate machine without the guards and other safety devices in place and working.
10. Do not wear loose clothing or jewelry.
11. Slow down unit before turning.
12. Never leave a running machine unattended. Always turn off unit, secure parking brake, stop engine and remove key before dismounting.
13. Shut off engine and wait for all parts to come to a complete stop before cleaning, servicing and/or unplugging the machine.

14. Operate machine in daylight or good artificial light.
15. Do not operate machine while under the influence of alcohol, medication or drugs.
16. Watch for traffic when operating near or crossing roadways. **This implement is for off road use only!**
17. Use extra care when loading or unloading the machine on to a trailer or truck.
18. Always wear eye protection when operating or servicing machine.
19. Do not run UTV or compact tractor engine indoors, except when starting. Open the outside doors: *Exhaust Fumes ARE Dangerous!*
20. Maximum transport speed with the implement is 20 mph (32 km/h).

Slope Operation

1. Slopes are a major factor related to loss of control and tip-over accidents, which can result in severe injury or death.
2. Operation on all slopes requires extra caution. Do not use the attachment, if you cannot back up the slope or if you feel uneasy on it.
3. Go up and down slopes, not across.
4. Watch for holes, ruts, bumps, rocks, or other hidden objects. Uneven terrain could overturn the machine. Tall grass can hide obstacles.
5. Choose a low ground speed so you will not have to stop or shift while on a slope.
6. Do not work on wet grass. Tires may lose traction.
7. ALWAYS keep the UTV or compact tractor in gear when going down slopes. Do not shift to neutral and coast downhill.
8. Avoid starting, stopping, or turning on a slope. If the tires lose traction, raise the attachment and SLOWLY proceed straight down the slope.
9. Keep all movement on slopes slow and gradual. Do not make sudden changes in speed or direction, which could cause the machine to roll over.

10. Use extra care while operating machine with additional or other attachments; they can affect the stability of the machine. Do not use on steep slopes.

11. Do not try to stabilize the machine by putting your foot [or feet] on the ground.

12. Do not work near drop-offs, ditches or embankments. The machine could suddenly roll over if a wheel goes over the edge or if the edge caves in.

Children



WARNING:
Tragic accidents can occur if the operator is not alert to the presence of children. Children are often attracted to the machine and the attachment. Never assume that children will remain there - the last time you saw them.

1. Keep children out of the working area and under the watchful care of a responsible adult - other than the operator, to watch over them.
2. Be alert and turn machine off, if a child enters the area.
3. Before and while backing, look behind and down for small children.
4. Never carry children, even with the attachment shut off. They may fall off and be seriously injured or interfere with safe machine operation. Children who have been given rides in the past may suddenly appear around the unit for another ride and be run over or backed over by the machine.
5. Never allow children to operate the machine!
6. Use extreme care when approaching blind corners, shrubs, trees, or other objects that may block your view of a child.

Towing

1. Tow only with a machine having a hitch designed for towing. Do not attach towed equipment except at the hitch point.
2. Follow the manufacturer's recommendation for weight limits for towed equipment and towing on slopes.
3. Never allow children or others in or on towed equipment.
4. On slopes, the weight of the towed equipment may cause loss of traction and loss of control.
5. Travel slowly and allow extra distance for stopping.
6. **Never tow this implement on a public roadway. This implement is for off road use only!**

General Service

1. Keep all nuts and bolts tight, to be sure the equipment is in safe working condition.
2. Never tamper with safety devices. Check their proper operation regularly.
3. Keep machine free of grass, and other debris build-up.
4. If you strike a foreign object, stop and inspect the machine. Repair, if necessary, before restarting.
5. Never operate the machine at high transport speed. Use care when backing up.
6. Maintain or replace safety and instruction labels, as necessary.
7. Use only attachments and accessories approved by the manufacturer.

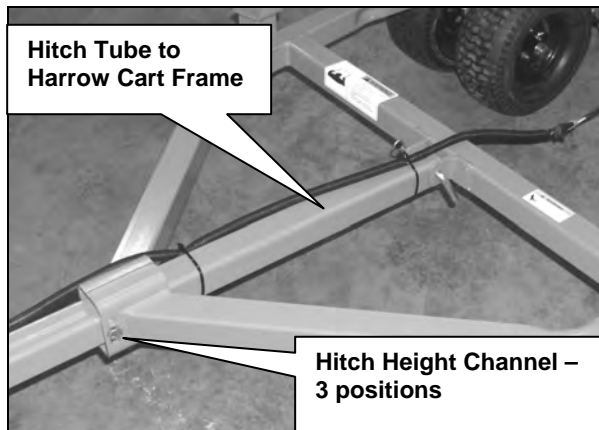
Maintenance

1. Maintain or replace safety and instruction labels as necessary.
2. Never tamper with safety devices and check their operation regularly.

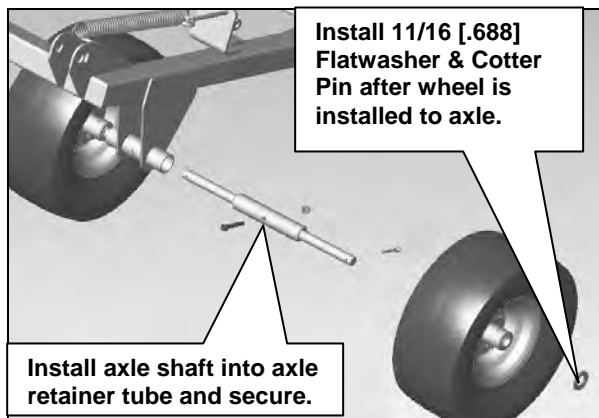
Setup

NOTE: RIGHT and LEFT hand sides are determined by the forward travel of unit.

1. Uncrate unit, remove assemblies and place around the harrow cart frame. Make sure the surface for assembling the harrow is level.
2. Place equal sized support stands (at least 18 inches high) at each corner of the harrow cart frame. This allows easy access for installing the hitch tube, wheels and related assemblies
3. Insert hitch tube through hitch height channel and secure to harrow cart frame with a bent pin and hitch pin. Secure hitch tube to hitch channel at front of harrow cart frame using a bent pin with hitch pin. Use the middle hole on hitch height channel.

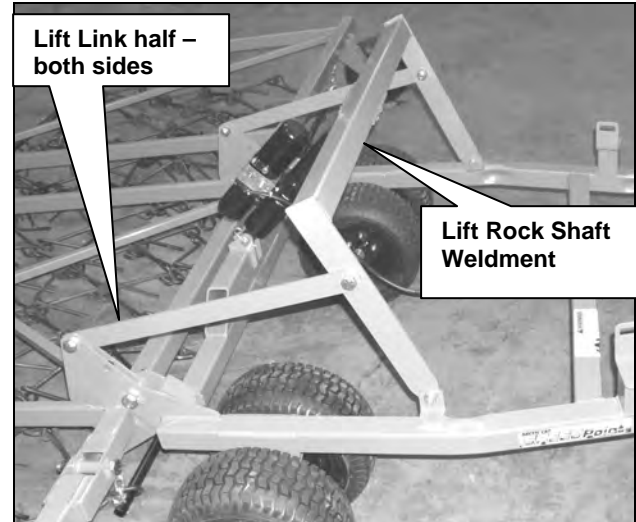


4. Assemble axle shaft into axle retainer tube of the harrow cart frame – secure with 5/16 x 1-3/4 hex head bolt and 5/16 flange locknut. Clean axle shafts and inside each wheel. Secure wheel with .688 flatwasher and cotterpin.

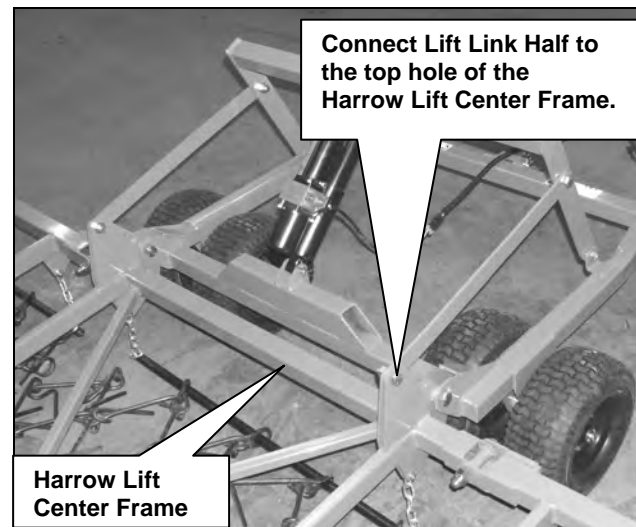


5. Repeat axle and tire installation for other side of harrow cart frame.

6. Mount lift rock shaft weldment to center frame. Make sure actuator mounting brackets are facing to the rear. Secure to the center frame using 1/2 flange lock nut and 1/2-13 (5/8 x 3/4) shoulder socket head bolt. The rock shaft weldment must be able to move back and forth on the center frame.



7. Secure lift link half to the outer sides of the lift rock shaft weldment using 5/8 nylon locknut and 5/8 x 1-1/2 hex head bolts.



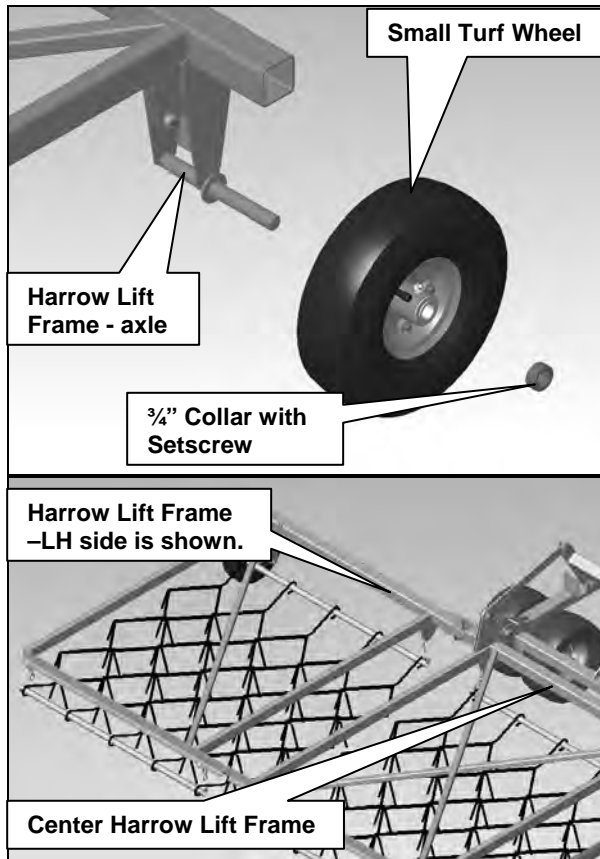
8. Position harrow lift center frame behind the harrow cart frame weldment. Secure with 3/4 locknut and 3/4 x 3 hex head bolts. Secure lift link half to the top hole and between 2 mounting brackets on the harrow lift center frame.

9. Place equal size support stands at the rear of the harrow lift center frame. Raise and lower harrow lift center frame to make sure it moves up and down - freely.

Left and Right Harrow Lift Frame to the Center Harrow Lift Frame

The left and right harrow lift frames have a small turf wheel mounted at the front outward corners of the frames. Both harrow lift frames (right and left) are mounted in the same way to the center harrow lift frame. They must hinge or fold when placing unit into transport.

1. Clean axle shafts and inside each wheel before installation. Place the small turf wheel on the axle shaft and slide a $\frac{3}{4}$ " collar. Secure collar to shaft with setscrew. Check tire pressure – 30 psi.

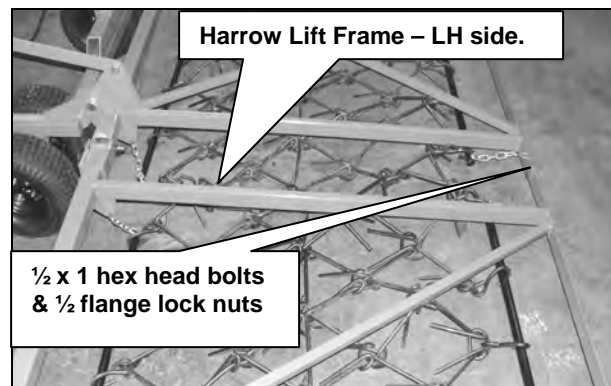
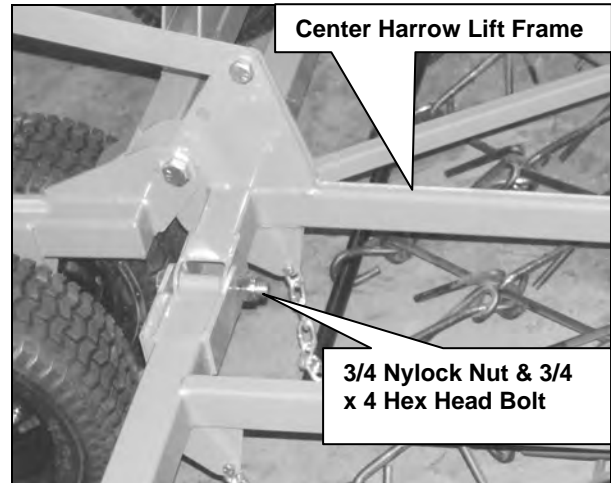


NOTE: Place equal-sized support stands under the left and right harrow lift frames. This is to ease assembly.

2. Position the harrow lift frames on each side of the harrow center frame.

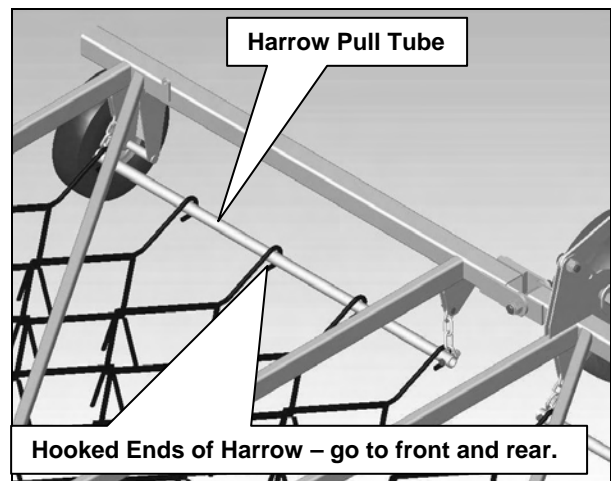
3. Align bolt holes of the harrow lift frames to matching bolt holes on the harrow center frame. Secure the front with $\frac{3}{4}$ nylon nut and $\frac{3}{4}$ x 4 hex head bolts.

4. Align bolt holes of the harrow lift frames to matching bolt holes at the rear of harrow center frame. Secure the rear with $\frac{1}{2}$ x 1 hex head bolts and $\frac{1}{2}$ flange lock nuts.



5. Repeat procedure to install the right harrow lift frame to the sides of the center harrow lift frame.

6. Position harrows under center, left and right frames. Make sure the hooks are to the front and rear of the frames.

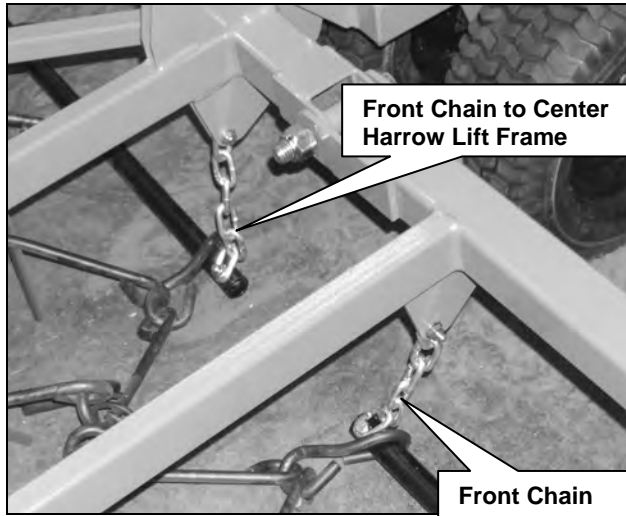


7. Slide the harrow pull tubes through the hooks of the harrows.

NOTE: The chains used to secure the harrows to the lift frames (front and rear) are 6 links long. When installing and securing chains, avoid any kinks or twists.

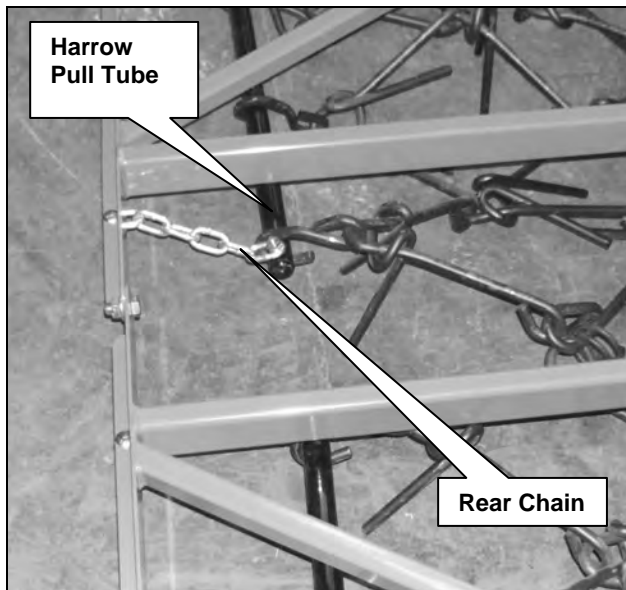
8. Secure chains to the ends of the harrow pull tube with 5/16 x 1-3/4 hex head bolt and 5/16 flange lock nut. This applies to all the harrow pull tubes.

9. Secure front chains between two mounting brackets on the center harrow lift frame using 5/16 x 1 hex head bolts and 5/16 flange lock nuts.



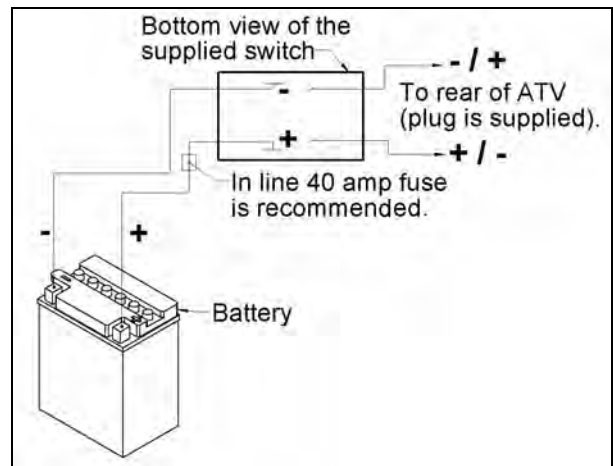
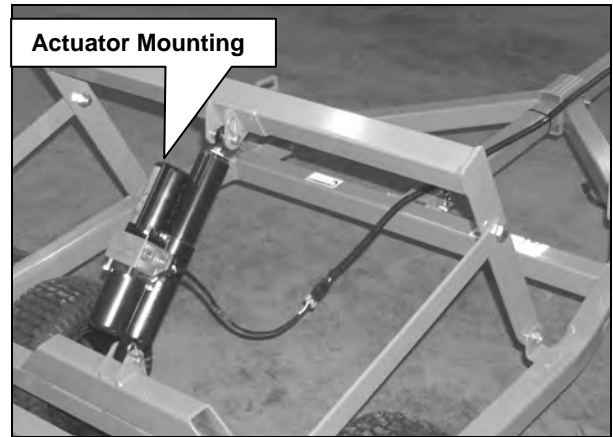
Harrow Mounting - Front

10. Secure the rear chains to square holes in the center, left and right harrow lift frames using 5/16 x 1-3/4 carriage bolts and 5/16 flange lock nuts.



Harrow Mounting - Rear

11. Position actuator (ram end to the lift rock shaft weldment) to brackets on lift rockshaft weldment and harrow weldment. Secure actuator using 5/8 x 2 clevis pins and hitch pin clips.



12. Route electrical wiring from actuator along the harrow cart weldment to the hitch frame, and to the front hitch coupler. Route away from pinch points and moving parts that could catch the wiring. Secure with tiestraps.

13. Mount the supplied switch to a convenient location on the UTV or compact tractor. Check the battery to ensure which are the positive (+) pole and negative (-) pole.

14. Grease all wheels using multi-purpose grease. Stop greasing when grease comes out from the bearings.

Operation

NOTE: A 2" hitch ball is required when using with the UTV, ATV or compact tractor.

The Quadivator UTV Harrow is attached to the rear 2" hitch ball of the UTV or compact tractor. The optional electric depth control operates from a switch that is mounted on the UTV or tractor.



WARNING:
Always wear certified safety glasses or wide vision safety goggles over your glasses before starting, maintaining and operating the harrow.

Check the pneumatic wheels on the UTV Harrow daily. The tires on the Harrow Cart Frame should have 30 psi. The smaller turf tires on the left and right hand lift frames should have 30 psi.

Do not exceed 6 mph (or 9 kph). The harrow will not do a good finishing job - if ground speed is too high. Maximum transport speed with the implement is 20 mph [32 km/h].

During heavy duty use, operate at a slower speed or go over the area twice. Repeat tillage, if necessary.

General Operation

1. Attach the harrow to the rear hitch of the UTV or compact tractor. Secure with the locking handle on the harrow hitch.
2. Attach electrical switch to UTV to operate the actuator. Route & secure electrical wiring so it is away from contact or pinch points between UTV and tandem disk.
3. Lift the harrow with the actuator.

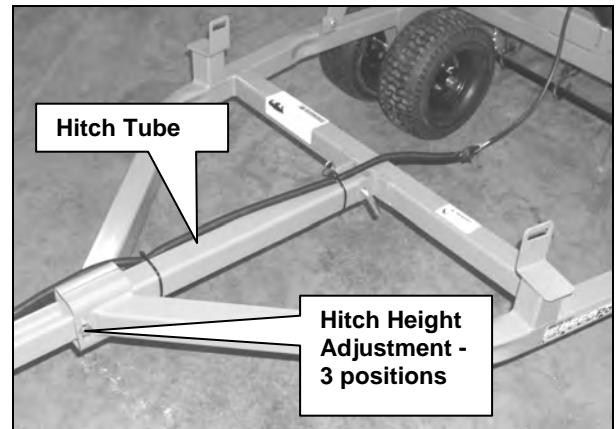
NOTE: When the harrow is lowered to the ground, the UTV must be in motion. The front part of the harrows should make contact first. The harrows will level out as the actuator is fully extended.

4. Raise the harrows with the actuator.
5. When not in use: lower harrow to the ground so weight is removed from the wheels. Ensure the wings are secure to the harrow lift center frame.

Hitch Height

The harrow center frame should be level when in working position. If not, adjust the hitch tube where it connects to the hitch channel. Remove clevis pin and bent pin from bracket. Select position and secure adjustment. Check if the main frame is level. Check UTV or compact tractor, if hitch can be adjusted by referring to its operator's manual.

1. Remove clevis pin along with bent pin from the hitch channel. Select position and secure.



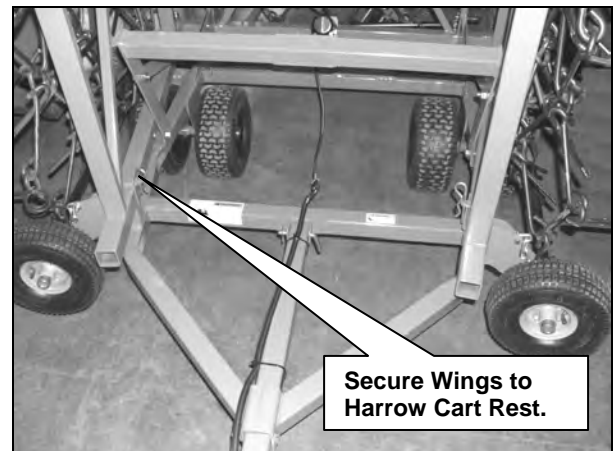
Hitch Height

2. Reinstall bent pin and secure with clevis pin.

Transport Position

The wings of the harrow can be placed in transport by doing the following:

1. Raise harrows to full height. Make sure the turf tires for the harrow lift frames (right and left hand) are off the ground.



Transport Position

2. Take the right or left harrow lift frames and swing forward to the sides of the harrow cart.

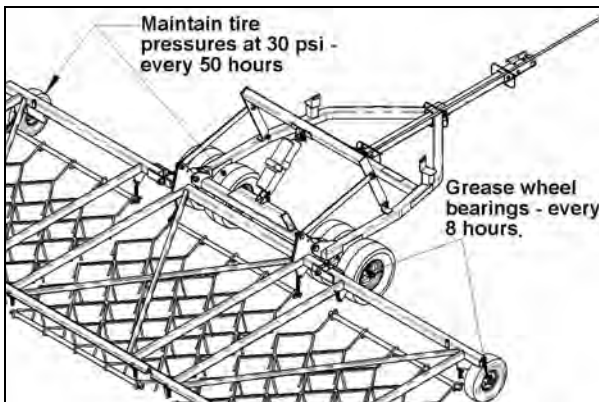
3. Lift the right or left harrow lift frames and position on the harrow lift frame rest.
4. Secure in transport position using hitch pin clips (1/4" x 3-1/2").
5. Reverse procedure to place harrows in working position.

Maintenance

1. Clean debris from frame, wheels and harrows.
2. Periodically inspect for loose, damaged, or worn parts. Adjust or replace as needed.
3. Periodically check all hardware on the hitch and harrows to ensure they are tight.
4. The wheels on the harrow cart and left and right lift frame require periodic lubrication – every 8 hours (daily).

AFTER END OF SEASON USE: Remove wheels, clean shafts and inside wheel. Apply a light coating of grease and reinstall with flatwashers and new cotterpin.

5. Check chains and harrow teeth to make sure hardware is holding. Tighten loose hardware and replace any missing pieces.
6. When harrow is not used for a period of time, it is recommended clean off any dirt to prevent rust.
7. Check and maintain tire pressures (every 50 hours), when harrow is in use. Tire pressure for all tires is 30 psi.



8. Replace harrow sections, if teeth become bent, broken or too worn. Refer to Parts Section of this manual for replacement part numbers.

9. The hooks of the harrows may not stay hooked to the harrow pull tubes. Place a heavy metal plate under the hook of the harrow. Pound down on the open loop end with a heavy hammer to close the loop. Make sure it is enough so the harrow pull tube will slip through.

Storage

1. Thoroughly clean off any dirt before storing.
2. Store the harrow on a level location to ensure its stability and safety.
3. Coat all teeth ends with grease or rust inhibitor (paint) when storing the harrow after a season.

Transportation



WARNING:
Exercise caution when transporting. Making abrupt turns can cause vehicle to over turn and cause bodily harm and /or injury. This implement is for off road use only!

1. Raise the harrows and place in transport position. Make sure right and left harrow lift frames are secure to the harrow cart frame.
2. Driving over bumps at improper speeds (over 5 MPH or 8 km/h) will cause the implement to hit and scrape the ground.
3. Attaching the harrows to the UTV or other towing vehicle increases the overall length and width of the working implement. Allow additional clearance for the implement to swing when turning.
4. Maximum transport speed with the implement is 20 mph [32 km/h].

Lift Lock Tube

The lift lock tube is used to replace the actuator when needed on the other UTV implements; e.g. UTV Cultivator.

1. Place harrow in transport position. Check actuator mounting pins to see that they can be removed.
2. Remove actuator from its mounts. Replace actuator with the lift lock tube and secure into position.





Troubleshooting

PROBLEM	POSSIBLE CAUSE	POSSIBLE SOLUTION	PROBLEM	POSSIBLE CAUSE	POSSIBLE SOLUTION
Poor harrow performance.	Hard ground	Wait for softer ground	Machine will not raise or lower.	Actuator is not connected to the switch.	Connect wiring to switch – check.
	Penetration is not deep enough.	Adjust the hitch until frame is level.		Switch is not working.	Check switch and electrical connections. Repair where needed.
	Harrow teeth are worn.	Replace with new.		Electrical short in the wiring harness or to electrical source.	Check routing of wiring harness from actuator for broken or pinched wiring. Repair where needed.
Front or rear of harrows are not penetrating into ground at the same time.	Harrow cart frame for the harrow is not level.	Level main frame so it is level in working position. Refer to Hitch Height Adjustment – page 6.	Plugging	Too much debris on the field.	Remove debris from the field.
Soil and crop residue sticks to the harrow teeth.	Soil is too wet and/or sticky.	Wait for drier soil conditions.	Ridging on outside.	Harrowing at too high a speed.	Reduce to 4-6 mph (6-9 km/h).
	Harrow teeth are plugged with dirt, debris.	Remove dirt and debris.	Does not run level, or tow straight.	Incorrect tire pressures.	Inflate tires evenly.
UTV or tractor – will not pull, traction wheels spin.	Hard ground.	Wait for softer ground.	Harrows unhooking from pull tube.	Harrows hooks have spread and not holding to harrow pull tube.	Install hooks to harrow pull tube. Close hook so it does not slip through.
	Ground is too wet.	Wait for soil to dry.	Harrow not staying level during operation.	Improper level adjustment.	Check level, refer to page 6.
Bent or broken harrow teeth.	Hitting obstructions.	Remove obstructions.	Actuator is stuck at either end of stroke	No electrical power to switch or wiring.	Check wiring and switch. Replace switch or repair wiring. Test system.
	Turning or backing up with harrows in the ground.	Raise harrows when turning or backing up.	Actuator does not operate.	Actuator is not connected to the switch.	Connect wiring to switch – check operation.
		Electrical short in the wiring harness.		Check routing of wiring harness for broken or pinched wiring. Repair as needed.	
		Worn actuator.		Replace actuator.	

Torque Chart

Use the Torque Chart to ensure that the hardware used on the Quadivator Product(s) is tightened to the capacity of the hardware.

Use the Torque Chart to make sure that the hardware on your Quadivator Product(s) is secure.

American Standard Cap Screws with UNC or UNF Threads				Metric Cap Screws			
SAE Grade No.		Grade 5 - 	Grade 8 - 	Property Class		Class 8.8 - 	Class 10.9 - 
5/16	(ft-lbs)	17 - 20.5	24 - 29	M8	(ft-lbs)	17.4 - 20.2	21.7 - 25.3
	(N-m)	23.1 - 27.8	32.5 - 39.3		(N-m)	23.6 - 27.4	29.4 - 34.3
	(kgf-m)	2.35 - 2.84	3.31 - 4.01		(kgf-m)	2.4 - 2.8	3.0 - 3.5
3/8	(ft-lbs)	35 - 42	45 - 54	M10	(ft-lbs)	35.5 - 41.2	44.9 - 52.1
	(N-m)	47.5 - 57.0	61.0 - 73.2		(N-m)	48.1 - 55.8	60.8 - 70.5
	(kgf-m)	4.84 - 5.82	6.22 - 7.47		(kgf-m)	4.9 - 5.7	6.2 - 7.2
1/2	(ft-lbs)	80 - 96	110 - 132	M12	(ft-lbs)	57.2 - 66.5	76.0 - 86.8
	(N-m)	108.5 - 130.2	149.2 - 179.0		(N-m)	77.5 - 90.1	103 - 117
	(kgf-m)	11.07 - 13.29	15.22 - 18.27		(kgf-m)	7.9 - 9.2	10.5 - 12.0
9/16	(ft-lbs)	110 - 132	160 - 192	M14	(ft-lbs)	91.2 - 108	123 - 144
	(N-m)	149.2 - 179.0	217.0 - 260.4		(N-m)	124 - 147	167 - 196
	(kgf-m)	15.22 - 18.27	22.14 - 26.57		(kgf-m)	12.6 - 15.0	17.0 - 20.0
5/8	(ft-lbs)	150 - 180	220 - 264	M16	(ft-lbs)	145 - 166	192 - 224
	(N-m)	203.4 - 244.1	298.3 - 358.0		(N-m)	196 - 225	260 - 303
	(kgf-m)	20.75 - 24.91	30.44 - 36.53		(kgf-m)	20.0 - 23.0	26.5 - 31.0

Replacement Parts

The following pages contain parts illustrations and replacement part numbers for all components for the Quadivator UTV Harrows. At the time of printing, some of the minor parts in the manual may become outdated.

To obtain replacement parts, please contact your Quadivator Dealer for service. To locate the nearest dealer, use the contact information at the beginning of the Operators Manual.

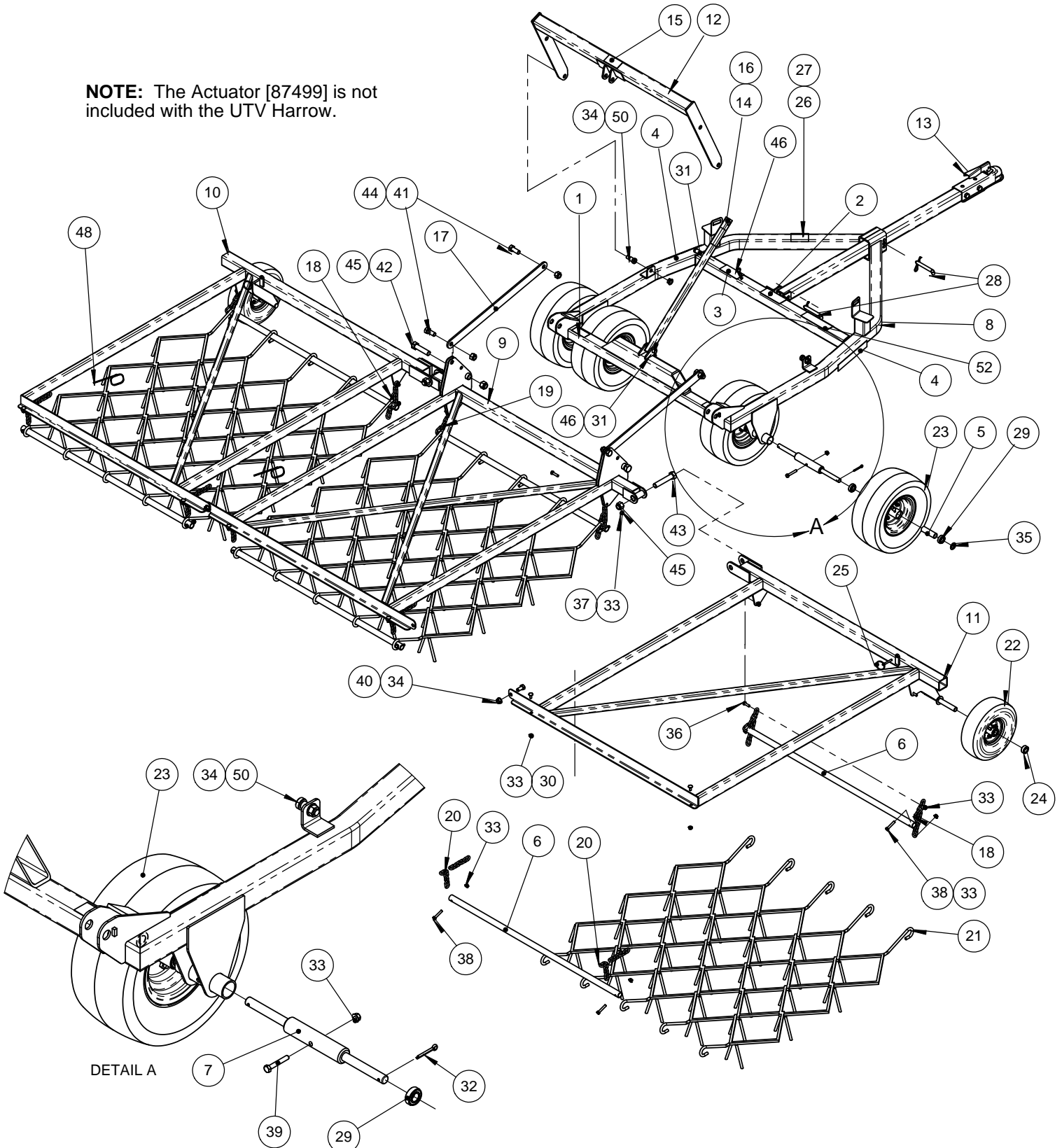
When ordering parts – please have the following information on hand:

- *Part Number* you are looking for.
- *Model Number and Serial Number* of the machine.
- *Quantity required.*

To ensure warranty support for your Quadivator, please fill out the Warranty Registration Card located in the Operator’s Manual.

UTV Harrow Assembly (86470Q)

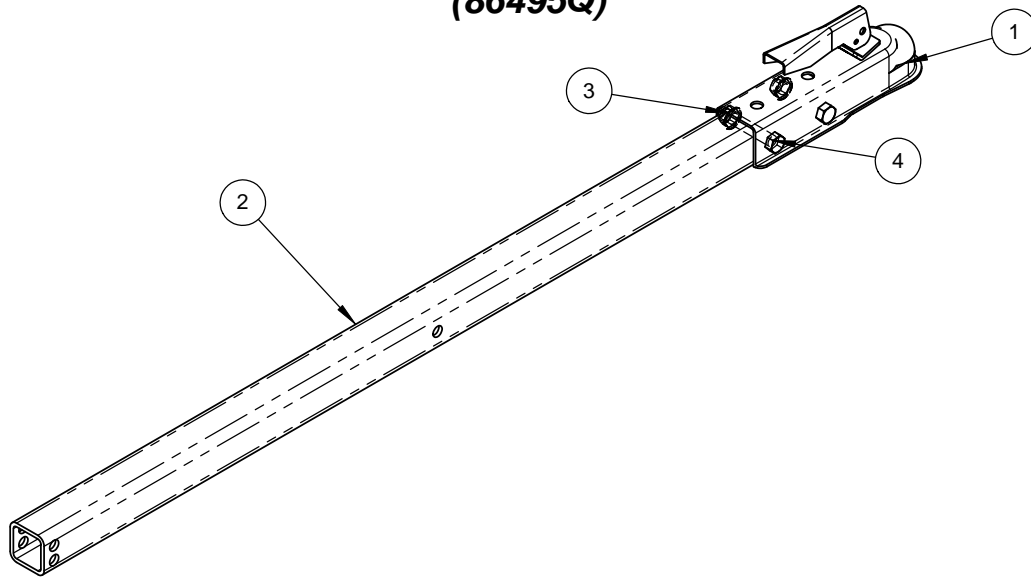
NOTE: The Actuator [87499] is not included with the UTV Harrow.



UTV Harrow Assembly (86470Q)

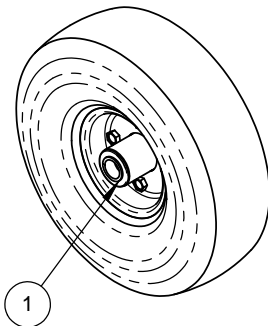
ITEM	86470Q /QTY.	PART	DESCRIPTION
1	2	1411-503	Decal, Warning -Pinch Point (Speedpoint)
2	1	1411-506	Decal, Warning-Do Not Exceed 10 MPH
3	1	1411-507	Decal, Warning-No passengers (Speedpoint)
4	2	86051	Decal, Quadivator - Silver & Black on Clear
5	4	86459	Bearing Support Spacer
6	6	86471	Tube, Harrow Pull
7	2	86473	Axle, Harrow
8	1	86475Q	Weld't, Harrow Cart-UTV- RED
9	1	86480Q	Weld't, Harrow Lift Frame-Center-RED
10	1	86485LHQ	Weld't, Harrow Lift Frame-LH-RED
11	1	86485RHQ	Weld't, Harrow Lift Frame-RH -RED
12	1	86490Q	Weld't, Lift Rock Shaft -RED
13	1	86495Q	Sub Assy, Hitch-Harrow -RED
14	1	86545	Tube, Lift Lock -Harrow
15	1	86546	Decal, Caution -Do Not Remove
16	1	86546	Decal, Caution -Do Not Remove
17	2	86659Q	Lift Link -RED
18	3	86665	Chain Assy, 1/4" Gr 30 Pr x 6 Links
19	3	86665	Chain Assy, 1/4" Gr 30 Pr x 6 Links
20	6	86665	Chain Assy, 1/4" Gr 30 Pr x 6 Links
21	3	87087	Harrow Section (7/16" x 4' x 4')
22	2	88434	Wheel Assy, 4.10/3.50-4 Turf
23	4	88435R	Wheel Assy, Modified 15 x 6.00-6 Turf J224
24	2	88647	S.C. Collar 3/4 in. w/ SS ZY PLATED
25	2	88653	Pin, Klik -1/4 x 1 3/8 Round
26	1	88666	Decal - Serial Plate Foil (1 5/8 x 3.00")
27	1	88667	Decal - Mylar Overlay, Frosted
28	2	89209	Pin, Bent 1/2" w/clip
29	8	89824	Bearing 6003-2RS-AAB
30	6	CB.313x3/4	Carriage Bolt 5/16 x 3/4
31	2	CP.625x2	Pin-Clevis, 5/8 OD x 2 Usable x 1/8 Cotter
32	4	CTP.188x1.5	Cotter Pin 3/16 x 1.5"
33	26	FHN.313	Flange Lock Nut, Uitorque 5/16 NC
34	4	FHN.5	Flange Lock Nut-Uitorque -1/2-13NC
35	4	FW.688N	Flat Washer .688 ID x 1.188 OD x .060t
36	4	HB.313x1	Hex Head Bolt 5/16-18 X 1
37	2	HB.313x1.25	Hex Head Bolt 5/16-18 X 1 1/4
38	12	HB.313x1.75	Hex Head Bolt 5/16-18 X 1 3/4
39	2	HB.313x2	Hex Head Bolt 1/4-20 X 2
40	2	HB.5x1	Hex Head Bolt 1/2-13 X 1
41	4	HB.625x1.5	Hex Head Bolt 5/8-11 X 1 1/2
42	2	HB.75x3	Hex Head Bolt 3/4-10 X 3
43	2	HB.75x4	Hex Head Bolt 3/4-10 X 4
44	4	HNY.625	Nylon Locknut 5/8-11 NC
45	4	HNY.75	Nylon Locknut .75"
46	2	HPC.125X2.563	Hitch Pin Clip 1/8 x 2 - 9/16"
47	3	LCT.04X11	Tie Wrap .04 x .17 x 11 in 35 Lbs-Black [not shown]
48	2	LCT.05X8	Tie Wrap .05 x .19 x 8 in 50 Lbs-Black
49	6	LCT.3x25	Tie Wrap .06 x .3 x 25 in 120 Lbs-Black [not shown]
50	2	SBHS.625X.75	Shldr Bolt Sckt Head 5/8 x 3/4 Shoulder x 1/2-13
52	1	SW1	Decal - Warning - Read Operator's Manual

UTV Harrow Hitch Assembly (86495Q)



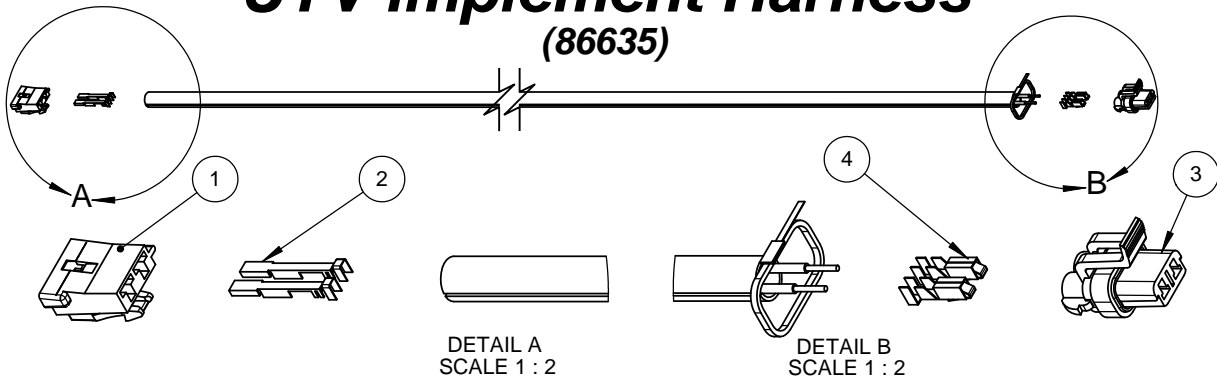
ITEM	86495Q /QTY.	PART	DESCRIPTION
1	1	86421A	Channel Hitch Coupler-2" ball x 2" channel
2	1	86472Q	Tube, Hitch UTV harrow -RED
3	2	FHN.5	Flange Lock Nut-Unitorque -1/2-13NC
4	2	HB.5x3	Hex Head Bolt 1/2-13 X 3

UTV Harrow - Wheel Assembly, Harrow Lift Frame (88434)



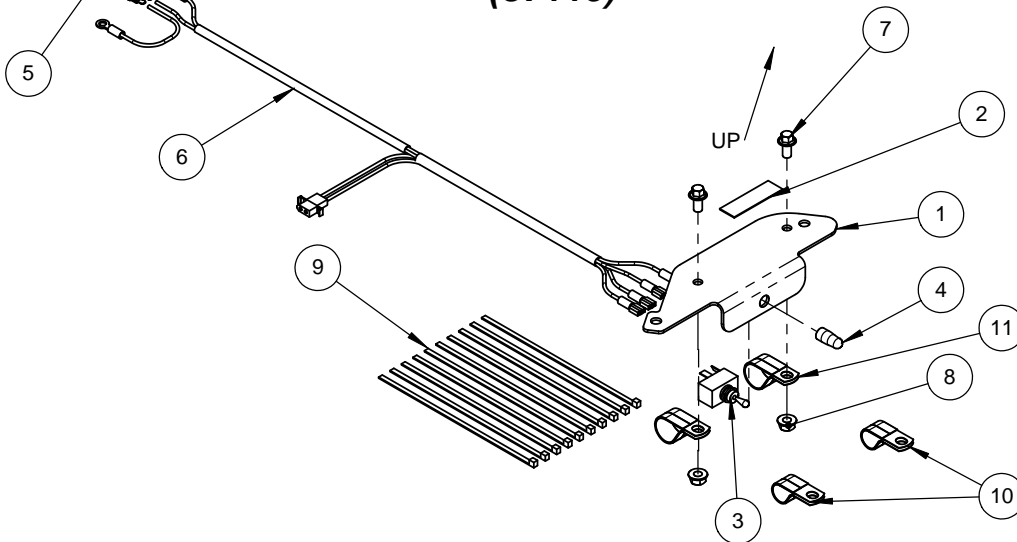
ITEM	Default /QTY.	PART	DESCRIPTION
1	2	88433	Bearing, Wheel Assy

UTV Implement Harness (86635)



ITEM	Default /QTY.	PART	DESCRIPTION
1	1	86981	Female Body, Metri-pack 630 conn. (12129939-b)
2	2	86983	Terminal, Female Connector (630 series)12015870
3	1	86987	Connector, Metri Pack 280 (15300027)
4	2	86988	Terminal, Female M/P 280 (12129493)

Wiring Harness Assembly (87115)



ITEM	Default /QTY.	PART	DESCRIPTION
1	1	0541-508	Plate, Switch Speedpoint (Black)
2	1	1411-524	Decal, Up/Down Speedpoint
3	1	86032	Switch - Actuator
4	1	86050	Boot, Weather Seal, Toggle Switch
5	1	86060	Fuse, Blade ATO/ATCType, 40 AMP
6	1	87085	Wiring Harness, Speedpoint
7	2	HBFHM8X16	Bolt, Hx Flng Hd, M8-1.25 x 16 Cl 8.8
8	2	HNFM8	Nut, Hx Smth Flange Metric M8 - 1.25
9	10	LCT.05X8	Tie Wrap .05 x .19 x 8 in 50 Lbs-Black
10	2	TC.75X.750	Tubing Clamp, 3/4" Wide x 3/4" OD Tube, Vinyl Dip
11	2	TC.75X1	Tubing Clamp, 3/4" Wide x 1" OD Tube, Vinyl Dip

WARRANTY REGISTRATION – Quadivator UTV Harrow

Please fax this sheet to (204) 239-4271 or mail it to:

Quadivator Inc.
P.O. Box 1127
1000 – 6th Ave NE
Portage la Prairie
Manitoba, R1N 3C5
CANADA

UTV Harrow Model # -

UTV Harrow Serial # -

Purchased by (Name)

Address-

City

State/Prov./Mail Code

Dealer -

Date Purchased (D/M/Y)

Thank you!



READ & SAVE THIS MANUAL

QUADIVATOR INC.
1000 6th Ave. NE
Portage La Prairie, MB
Canada, R1N 3C5
www.quadivator.com

Part # : 86371